

TEST QUESTION 1 alternative 1

Designers use many different types of drawings when working on new designs. Study the drawings shown and answer the following questions.

(a) What are the individual names given to each of the views?

View 1

View 2

View 3

View 4

(b) What is the **general** name that would be given to all views?

NAME

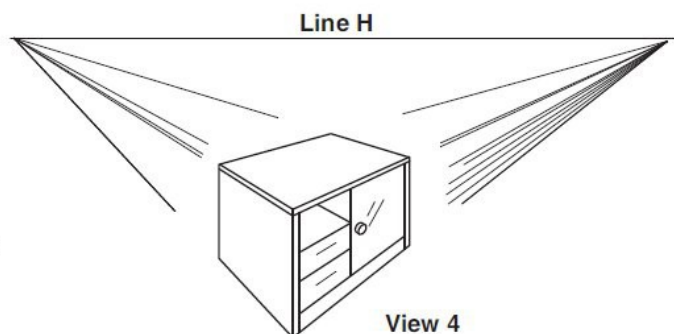
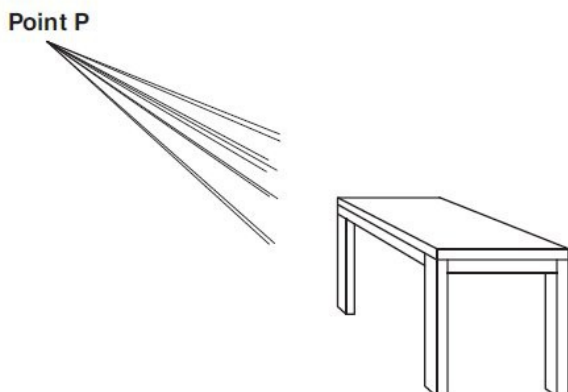
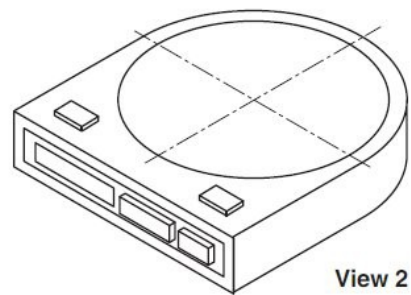
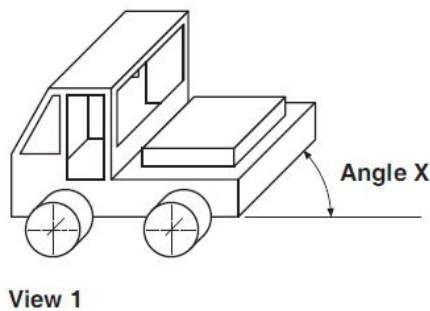
(c) What is **Angle X** on View 1?

(d) What is the name given to **Point P** on View 3?

.....

(e) What is the name given to **Line H** on View 4?

.....



ANSWERS

Designers use many different types of drawings when working on new designs. Study the drawings shown and answer the following questions.

- (a) What are the individual names given to each of the views?
- View 1 **OBLIQUE**
- View 2 **ISOMETRIC**
- View 3 **ONE-POINT PERSPECTIVE**
- View 4 **TWO-POINT PERSPECTIVE**
- (b) What is the **general** name that would be given to all views?
- NAME **PICTORIAL**
- (c) What is **Angle X** on View 1? **45 degrees**
- (d) What is the name given to **Point P** on View 3?
- **VANISHING POINT**
- (e) What is the name given to **Line H** on View 4?
- **HORIZON (EYE LEVEL) LINE**