



TEST QUESTION 4 alternative 1

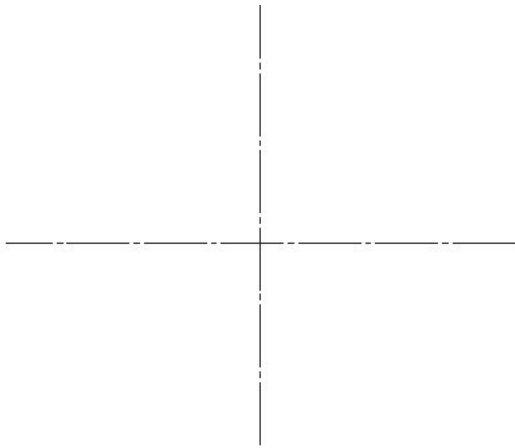
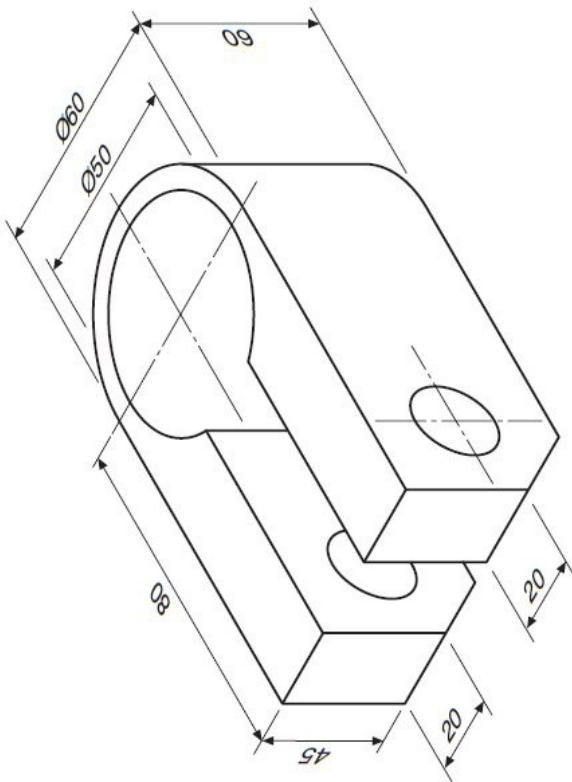
(a)

On page 2, an object is shown in a partly completed third-angle orthogonal drawing. You are required to add all the missing lines, including any hidden lines and centre lines.

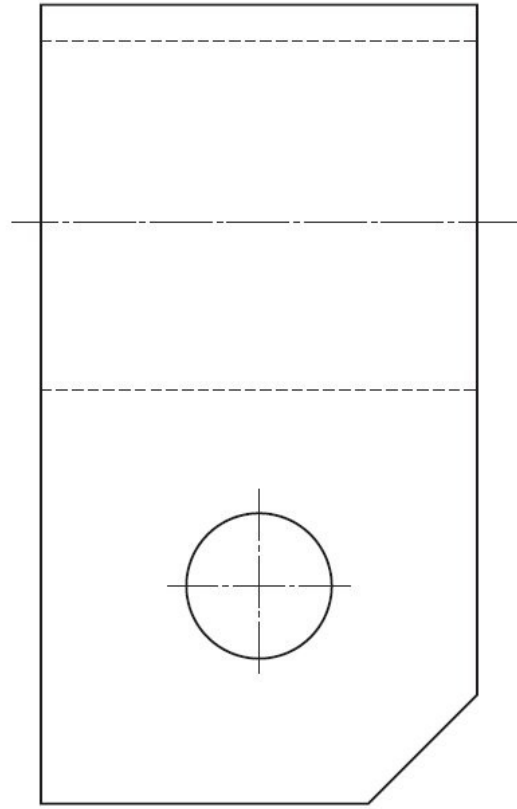
(b)

On page 3, you are required to render the drawing so that the form of the object is enhanced. The light source is coming from above on the right side and slightly behind the object.

(a)



PLAN



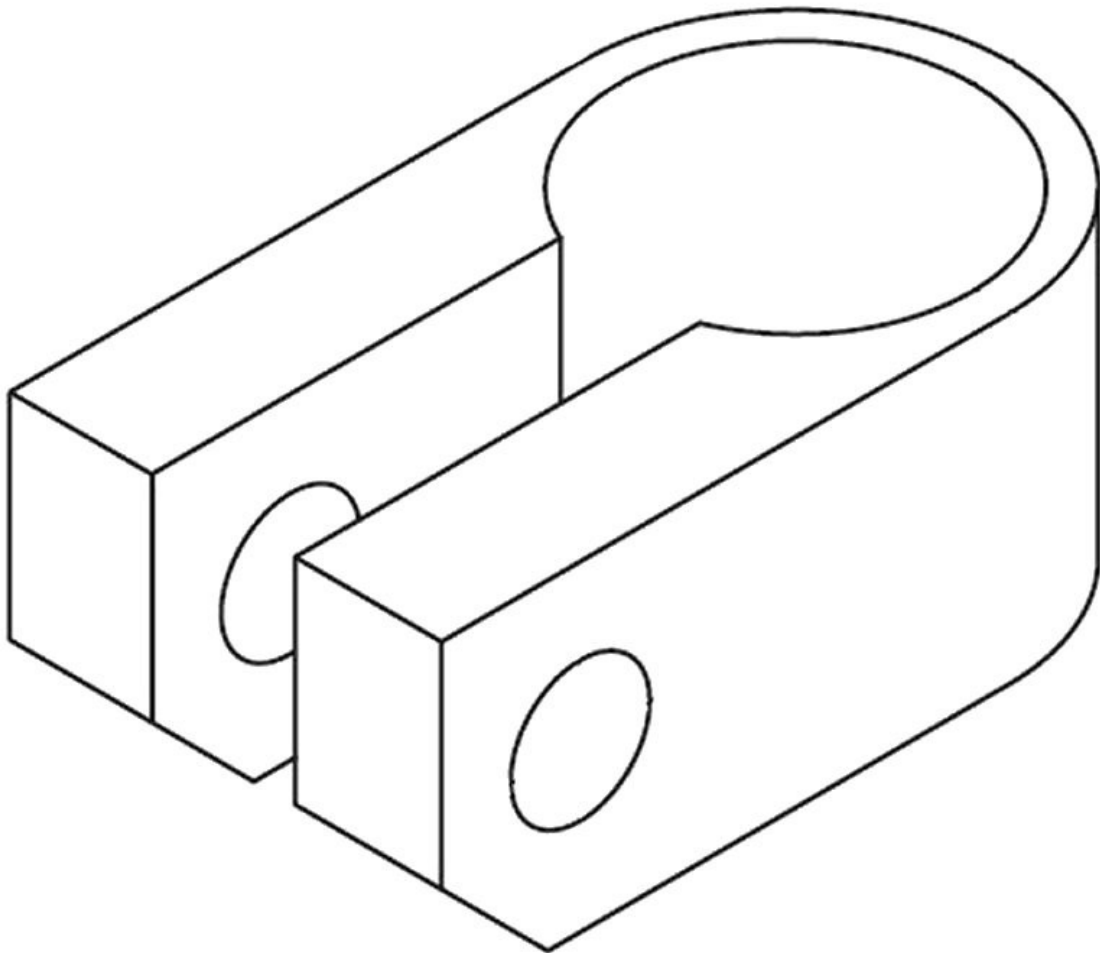
ELEVATION



END ELEVATION

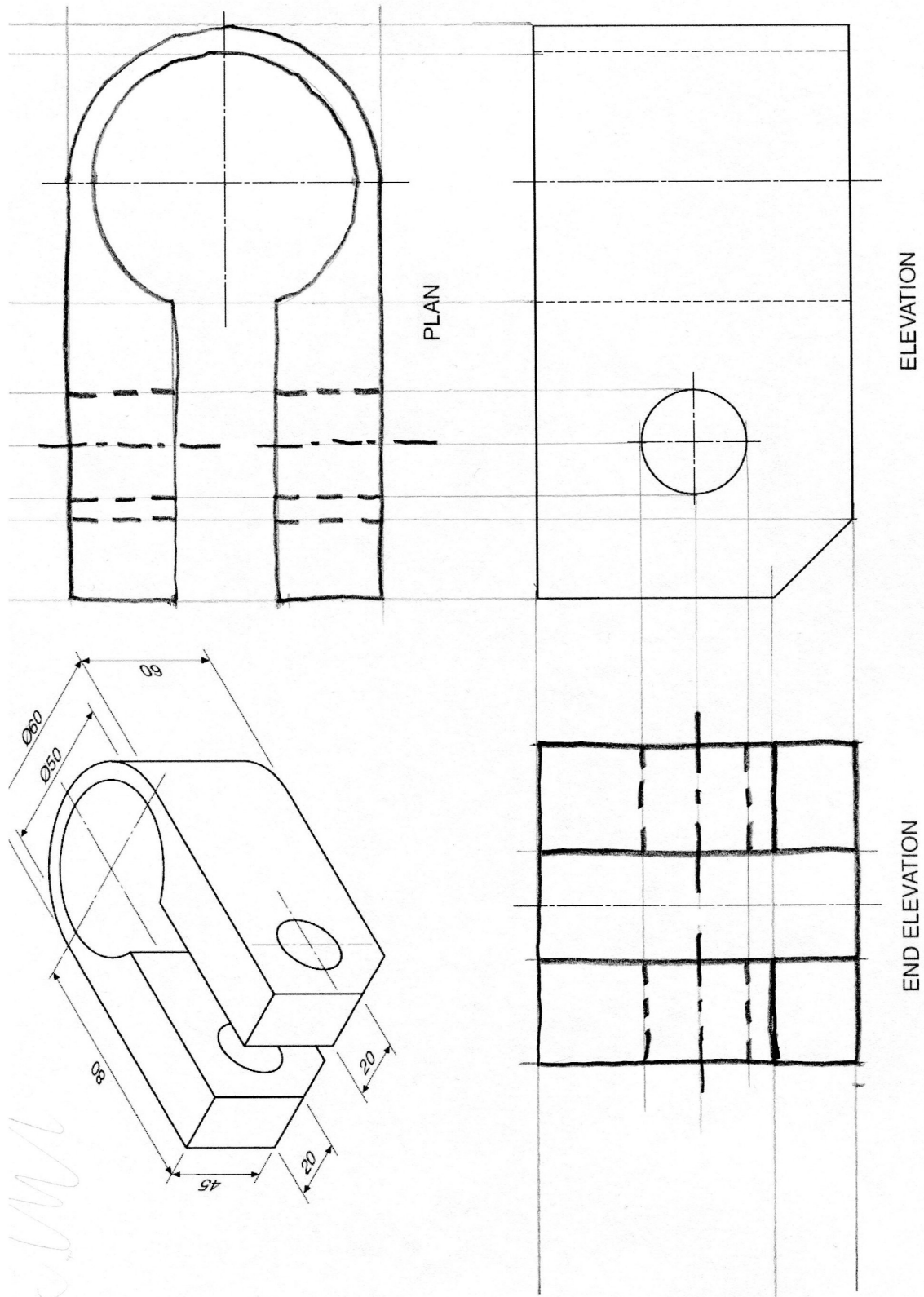
(b)

LIGHT SOURCE COMING FROM ABOVE ON THE RIGHT SIDE AND SLIGHTLY BEHIND THE OBJECT



ANSWER (a) – MISSING LINES

NOTE: There is an error – the hole shown on the Elevation is not in the same position on the object shown in the isometric drawing, but should cause no problem



ANSWER (b) – RENDERING

